

# OPLS™

by WASH

ON-PREMISES LAUNDRY SOLUTIONS

## Softmount Washer-Extractor

### PYT100

100 lb (45 kg)



### FEATURES

- Freestanding, high spin
- Patented Cascade Drum™
- Stainless steel drum and tub
- 2x large drain valves
- Easy Soap™ - liquid soaps connection
- Large door opening for easy loading/unloading
- Ergonomic height of door enables easy access
- User Friendly control position regardless of the user's height
- Soap hopper

### XCONTROL FLEX PLATFORM

- 7" Touch intuitive programming and usage
- Available in 34 languages
- Fully programmable
- 20 preset programs, up to 99 in memory



ERGONOMIC  
CONSTRUCTION



TOUCH SCREEN  
CONTROLS



LOW WATER  
AND ENERGY  
CONSUMPTION

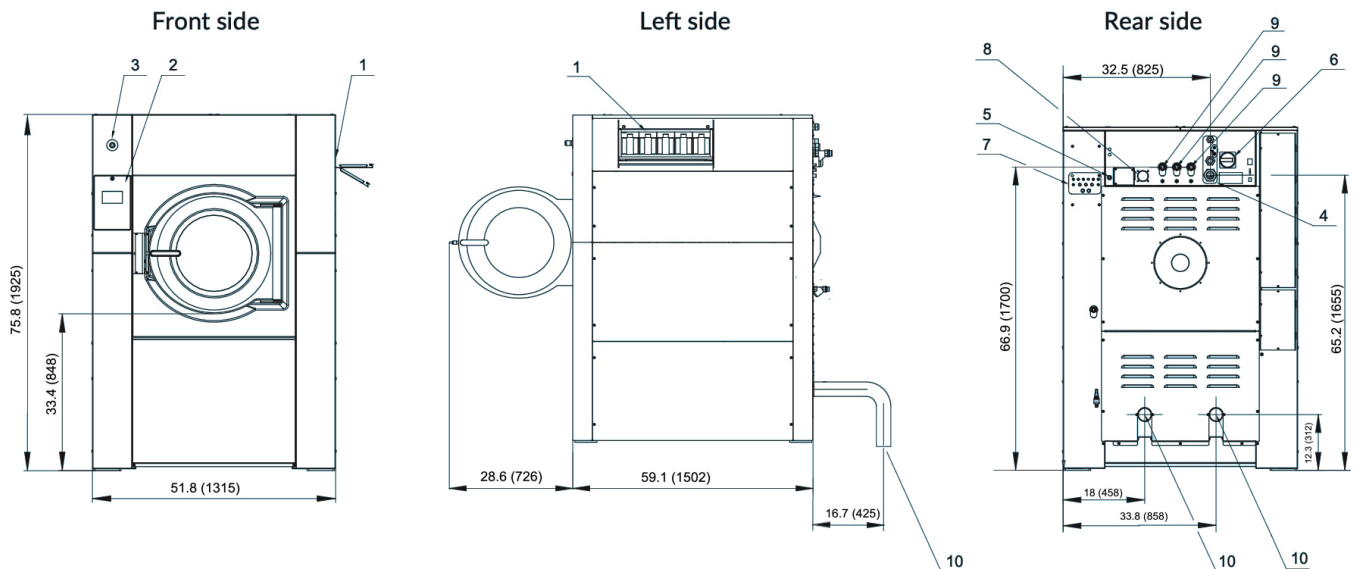


# Softmount Washer-Extractor

## Specifications

PYT100	
Control Option	X Control FLEX
Capacity - lb (kg)	100 (45)
Overall Width - in (mm)	51.8 (1315)
Overall Depth - in (mm)	59.1 (1502)
Overall Height - in (mm)	75.8 (1925)
Cylinder Diameter - in (mm)	36 (914)
Cylinder Depth - in (mm)	27.2 (691)
Cylinder Volume - cu. ft (liters)	15.9 (452)
Door Opening Size - in (mm)	21.3 (540)
Door Bottom to Floor - in (mm)	33.4 (848)

Wash Speed - RPM	38	
Extractor Speed - RPM	839	
Extract G-Force	360	
Water Inlet Connection - in (mm)	3 x 1.0 (25)	
Steam Inlet Connection - in (mm)	0.75 (19)	
Drain Diameter - in (mm)	2 x 3 (76)	
Motor Power Consumption - HP (kW)	10.0 (7.5)	
Voltage/Circuit Breaker - FLA*	208-240/50-60/3	
Shipping Dimensions Approx. - in (mm)	Width	56.1 (1425)
	Depth	66.9 (1700)
	Height	83.7 (2125)
Net Weight - lb (kg)	2976 (1350)	
Shipping Weight - lb (kg)	3285 (1490)	
Agency Approvals	CSA	



1. Soap hopper
2. Keyboard
3. Emergency stop
4. Electrical connection

5. Electrical connection to liquid soap
6. Main switch
7. Liquid soap pump connections

8. Air vent tub
9. Water connection
10. Drain valve

For the most accurate information, the installation guide should be used for all design and construction purposes. Due to continuous product improvements, design and specifications subject to change without notice. The quality management systems at Alliance Laundry Systems are registered to ISO 9001.