

ON-PREMISES SOFTMOUNT WASHER EXTRACTOR

OPLS™ by WASH

PYN90

90lb

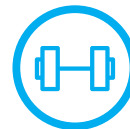
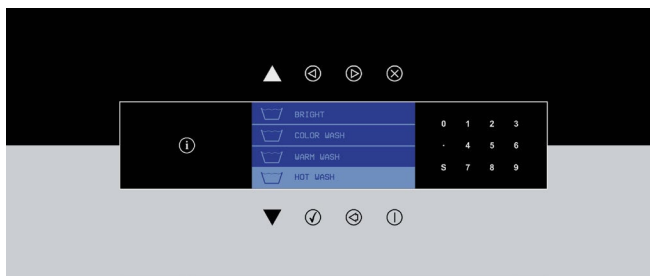


FEATURES

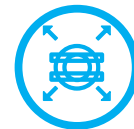
- Freestanding, high spin, 350 G-Force
- Stainless steel front and side panels
- Stainless steel cylinder and tub
- XControl+ fully programmable control
- Up front five cup soap hopper
- Large dual drain valves
- Large door opening for easy loading and unloading
- SuperWash® perforated lifting ribs create more mechanical action
- SuperEco washing programs significantly reduce water and electricity consumption
- Ozone compatible seal system
- Warranty: First three years on all parts; First five years frame and cylinder shaft assembly; First five years on cylinder bearings and bearing seals (*parts only*)

OPTIONS

- Steam heating



ROBUST DESIGN



EXTRA LARGE
DOOR



LARGE DRAIN
VALVE CYCLES



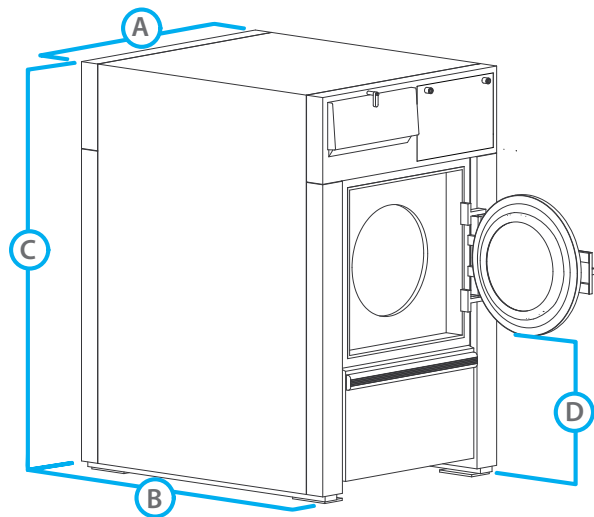
3 YEAR PARTS
WARRANTY

WASH

800-236-5599 | www.wash.com/on-premise

MODEL		PYN90
CONTROL OPTION		XControl+
CAPACITY - lb (kg)		90 (41)
OVERALL WIDTH - in (mm)		47.04 (1195)
OVERALL DEPTH - in (mm)		56.3 (1430)
OVERALL HEIGHT - in (mm)		75 (1905)
CYLINDER DIAMETER - in (mm)		36 (914)
CYLINDER DEPTH - in (mm)		24 (610)
CYLINDER VOLUME - cu. ft (liters)		14.2 (402)
DOOR OPENING SIZE - in (mm)		21.3 (541)
DOOR BOTTOM TO FLOOR - in (mm)		28.74 (730)
WASH SPEED - RPM		38
EXTRACT SPEED - RPM		830
EXTRACT G-FORCE		350
WATER INLET CONNECTION - in (mm)		3x1 (25)
STEAM INLET CONNECTION - in (mm)		0.75 (19)
DRAIN CONNECTION - in (mm)		2x3 (76)
MOTOR POWER CONSUMPTION - hp (kw)		10.06 (8)
VOLTAGE/CIRCUIT BREAKER - FLA		220-240/60/3
		380-480/60/3
SHIPPING DIMENSIONS APPROX. - in (mm)	Width	56.3 (1430)
	Depth	61.8 (1570)
	Height	82.9 (2106)
NET WEIGHT - lb (kg)		3439 (1560)
SHIPPING WEIGHT - lb (kg)		3748 (1700)
AGENCY APPROVALS		cCSAus

DIMENSIONS	PYN90
A. OVERALL WIDTH - in (mm)	47.04 (1195)
B. OVERALL DEPTH - in (mm)	56.3 (1430)
C. OVERALL HEIGHT - in (mm)	75 (1905)
D. DOOR BOTTOM TO FLOOR - in (mm)	28.74 (730)



WASH

800-236-5599 | www.wash.com/on-premise