

# ON-PREMISES SOFTMOUNT WASHER EXTRACTOR

**OPLS**<sup>™</sup>  
by **WASH**

PYN230

230lb

**PYN**  
RANGE

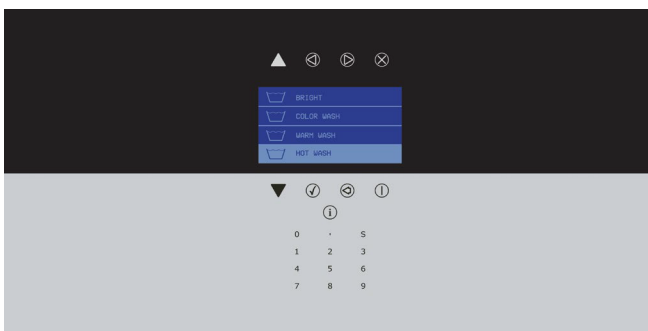


## FEATURES

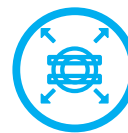
- Freestanding, high spin, 350 G-Force
- Stainless steel top, front, and side panels
- Stainless steel cylinder and tub
- XControl+ – fully programmable control
- Up front five cup soap hopper
- Large dual drain valves
- Large door opening for easy loading and unloading
- SuperWash<sup>®</sup> perforated lifting ribs create more mechanical action
- SuperEco washing programs significantly reduce water and electricity consumption
- Warranty: First three years on all parts; First five years frame and cylinder shaft assembly; First five years on cylinder bearings and bearing seals (parts only)

## OPTIONS

- Steam heating



ROBUST DESIGN



EXTRA LARGE  
DOOR



LARGE DRAIN  
VALVE CYCLES

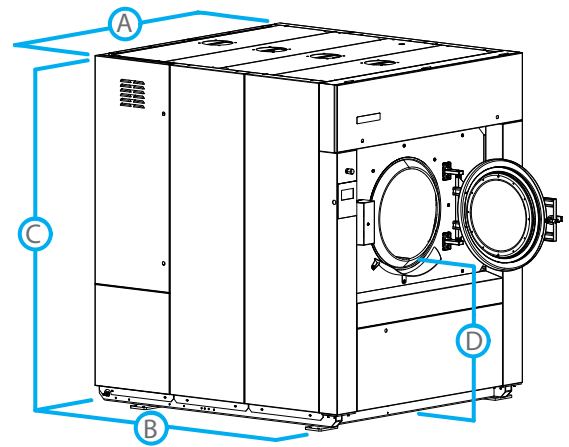


3 YEAR PARTS  
WARRANTY

**WASH**

800-236-5599 | [www.wash.com/on-premise](http://www.wash.com/on-premise)

MODEL		PYN230	
CONTROL OPTION		XControl+	
CAPACITY - lb (kg)		230 (104)	
DIMENSIONS W/ TILT - in (mm)	Width	75.59 (1920)	
	Depth	80.98 (2057)	
	Height	86.30 (2192)	
NET WEIGHT W/ TILT - lb (kg)		7760 (3520)	
DIMENSIONS W/O TILT - in (mm)	Width	70.47 (1790)	
	Depth	78.94 (2005)	
	Height	81.10 (2060)	
NET WEIGHT W/O TILT - lb (kg)		6989 (3170)	
CYLINDER DIAMETER - in (mm)		47.24 (1200)	
CYLINDER DEPTH - in (mm)		33.85 (860)	
CYLINDER VOLUME - cu. ft. (liters)		35.4 (1003)	
DOOR OPENING SIZE - in (mm)		20.86 (530)	
DOOR BOTTOM TO FLOOR - in (mm)		33.74 (857)	
WASH SPEED - RPM		33	
EXTRACT SPEED - RPM		720	
EXTRACT G-FORCE		350	
WATER INLET CONNECTION - in (mm)		3 x 1.5 (38)	
STEAM INLET CONNECTION - in (mm)		1 (25)	
DRAIN CONNECTION - in (mm)		2 x 4 (102)	
MOTOR POWER CONSUMPTION - hp (kw)		20.12 (15)	
VOLTAGE/CIRCUIT BREAKER - FLA		208-240/60/3	50-35
		400-480/60/3	40-25.2
SHIPPING DIMENSIONS		Width	81.89 (2080)
APPROX. W/ TILT - in (mm)		Depth	92.52 (2350)
		Height	95.47 (2425)
	SHIPPING WEIGHT W/ TILT - lb (kg)		7981 (3620)
SHIPPING DIMENSIONS		Width	78.74 (2000)
APPROX. W/O TILT - in (mm)		Depth	85.43 (2170)
		Height	92.32 (23.45)
	SHIPPING WEIGHT W/O TILT - lb (kg)		7518 (3410)
AGENCY APPROVALS		CSA	



DIMENSIONS W/ TILT		PYN230
A. OVERALL WIDTH - in (mm)		75.59 (1920)
B. OVERALL DEPTH - in (mm)		80.98 (2057)
C. OVERALL HEIGHT - in (mm)		86.30 (2192)
D. DOOR BOTTOM TO FLOOR - in (mm)		33.74 (857)

DIMENSIONS W/O TILT		PYN230
A. OVERALL WIDTH - in (mm)		70.47 (1790)
B. OVERALL DEPTH - in (mm)		78.94 (2005)
C. OVERALL HEIGHT - in (mm)		81.10 (2060)
D. DOOR BOTTOM TO FLOOR - in (mm)		33.74 (857)

**WASH**

800-236-5599 | [www.wash.com/on-premise](http://www.wash.com/on-premise)