

ON-PREMISES SOFTMOUNT WASHER EXTRACTOR

OPLS[™]
by **WASH**

PYN20

20lb

PYN
RANGE

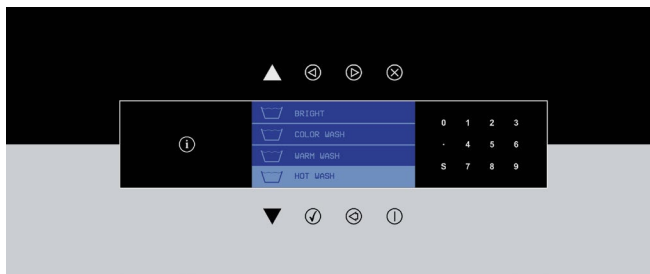


FEATURES

- Freestanding, high spin, 400 G-Force
- Stainless steel top, front, and side panels
- Stainless steel cylinder and tub
- Patented Cascade™ cylinder for better washability
- XControl+ – fully programmable control
- Patented soap hopper
- Large drain valve
- Front access to vital parts for easy maintenance
- Large door opening for easy loading and unloading
- USB plug on the back panel and control board
- Warranty: First three years on all parts; First five years frame and cylinder shaft assembly; First five years on cylinder bearings and bearing seals (parts only)

OPTIONS

- Third water inlet
- Steam heating



ERGONOMICAL
CONSTRUCTION



LARGE DOOR
OPENING



LOW WATER
AND ENERGY
CONSUMPTION



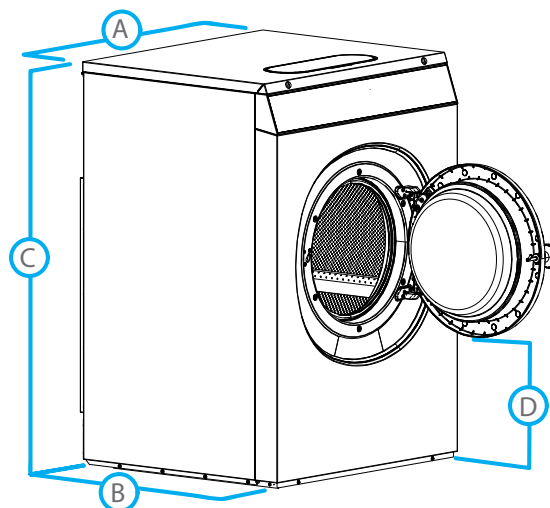
3 YEAR PARTS
WARRANTY

WASH

800-236-5599 | www.wash.com/on-premise

MODEL	PYN20	
CONTROL OPTION	XControl+	
CAPACITY - lb (kg)	20 (8)	
OVERALL WIDTH - in (mm)	2795 (710)	
OVERALL DEPTH - in (mm)	31.10 (790)	
OVERALL HEIGHT - in (mm)	43.89 (1115)	
CYLINDER DIAMETER - in (mm)	20.87 (530)	
CYLINDER DEPTH - in (mm)	13.78 (350)	
CYLINDER VOLUME - cu. ft (liters)	2.6 (75)	
DOOR OPENING SIZE - in (mm)	13 (330)	
DOOR BOTTOM TO FLOOR - in (mm)	13.74 (349)	
WASH SPEED - RPM	49	
EXTRACT SPEED - RPM	1165	
EXTRACT G-FORCE	400	
WATER INLET CONNECTION - in (mm)	2 x 0.75 (19)	
STEAM INLET CONNECTION - in (mm)	0.5 (13)	
DRAIN CONNECTION - in (mm)	3 (76)	
FLOOR TO DRAIN OUTLET CENTER - in (mm)	4.4 (112)	
SIDE TO DRAIN OUTLET CENTER - in (mm)	9.05 (230)	
MOTOR POWER CONSUMPTION - hp (kw)	1.00 (.75)	
VOLTAGE/CIRCUIT BREAKER - FLA	208-240/60/1	10-6.7
SHIPPING DIMENSIONS APPROX. - in (mm)	Width	29.53 (750)
	Depth	33.01 (838)
	Height	49.02 (1245)
NET WEIGHT - lb (kg)	408 (185)	
SHIPPING WEIGHT - lb (kg)	441 (200)	
AGENCY APPROVALS	cCSAus	

DIMENSIONS	PYN20
A. OVERALL WIDTH - in (mm)	2795 (710)
B. OVERALL DEPTH - in (mm)	31.10 (790)
C. OVERALL HEIGHT - in (mm)	43.89 (1115)
D. DOOR BOTTOM TO FLOOR - in (mm)	13.74 (349)



WASH

800-236-5599 | www.wash.com/on-premise