

# ON-PREMISES SOFTMOUNT WASHER EXTRACTOR

**OPLS**<sup>™</sup>  
by **WASH**

PYN180

180lb

**PYN**  
RANGE

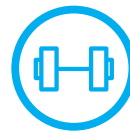
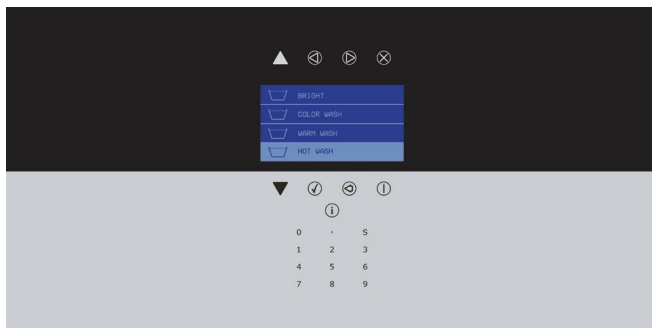


## FEATURES

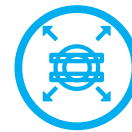
- Freestanding, high spin, 350 G-Force
- Stainless steel top, front, and side panels
- Stainless steel cylinder and tub
- XControl+ – fully programmable control
- Large dual drain valves
- Large door opening for easy loading and unloading
- SuperWash<sup>®</sup> perforated lifting ribs create more mechanical action
- SuperEco washing programs significantly reduce water and electricity consumption
- Warranty: First three years on all parts; First five years frame and cylinder shaft assembly; First five years on cylinder bearings and bearing seals (parts only)

## OPTIONS

- Steam heating



ROBUST DESIGN



EXTRA LARGE  
DOOR



LARGE DRAIN  
VALVE CYCLES

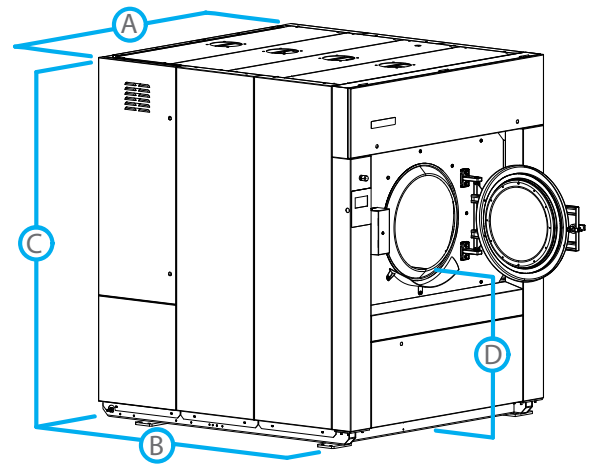


3 YEAR PARTS  
WARRANTY

**WASH**

800-236-5599 | [www.wash.com/on-premise](http://www.wash.com/on-premise)

MODEL		PYN180	
CONTROL OPTION		XControl+	
CAPACITY - lb (kg)		180 (82)	
DIMENSIONS W/ TILT - in (mm)		Width	63.78 (1620)
		Depth	78.46 (1993)
		Height	83.39 (2118)
NET WEIGHT W/ TILT - lb (kg)		6592 (2990)	
DIMENSIONS W/O TILT - in (mm)		Width	58.86 (1495)
		Depth	76.38 (1940)
		Height	78.5 (1994)
NET WEIGHT W/O TILT - lb (kg)		5820 (2640)	
CYLINDER DIAMETER - in (mm)		43.7 (1110)	
CYLINDER DEPTH - in (mm)		33 (838)	
CYLINDER VOLUME - cu. ft ( liters)		28.5 (807)	
DOOR OPENING SIZE - in (mm)		20.86 (530)	
DOOR BOTTOM TO FLOOR - in (mm)		33.15 (842)	
WASH SPEED - RPM		36	
EXTRACT SPEED - RPM		750	
EXTRACT G-FORCE		350	
WATER INLET CONNECTION - in (mm)		3 x 1.5 (38)	
STEAM INLET CONNECTION - in (mm)		1 (25)	
DRAIN CONNECTION - in (mm)		2 x 4 (102)	
MOTOR POWER CONSUMPTION - hp (kw)		14.75 (11)	
VOLTAGE/CIRCUIT BREAKER - FLA		208-240/60/3	40-30.2
		400-480/60/3	30-23.8
SHIPPING DIMENSIONS APPROX. W/ TILT - in (mm)		Width	70.01 (1778)
		Depth	84.65 (2150)
		Height	91.54 (2325)
SHIPPING WEIGHT W/ TILT - lb (kg)		6614 (3000)	
SHIPPING DIMENSIONS APPROX. W/O TILT - in (mm)		Width	66.53 (1690)
		Depth	76.77 (1950)
		Height	86.61 (2200)
SHIPPING WEIGHT W/O TILT - lb (kg)		6239 (2830)	
AGENCY APPROVALS		CSA	



DIMENSIONS W/ TILT		PYN180
A.	OVERALL WIDTH - in (mm)	63.78 (1620)
B.	OVERALL DEPTH - in (mm)	78.46 (1993)
C.	OVERALL HEIGHT - in (mm)	83.39 (2118)
D.	DOOR BOTTOM TO FLOOR - in (mm)	33.15 (842)

DIMENSIONS W/O TILT		PYN180
A.	OVERALL WIDTH - in (mm)	58.86 (1495)
B.	OVERALL DEPTH - in (mm)	76.38 (1940)
C.	OVERALL HEIGHT - in (mm)	78.5 (1994)
D.	DOOR BOTTOM TO FLOOR - in (mm)	13.74 (349)

**WASH**

800-236-5599 | [www.wash.com/on-premise](http://www.wash.com/on-premise)