

ON-PREMISES SOFTMOUNT WASHER EXTRACTOR

OPLS[™]
by **WASH**

PYN125

125lb

PYN
RANGE



FEATURES

- Freestanding, high spin, 350 G-Force
- Stainless steel front and side panels
- Stainless steel cylinder and tub
- XControl+ fully programmable control
Up front five cup soap hopper
- Large dual drain valves
- Large door opening for easy loading and unloading
- SuperWash[®] perforated lifting ribs create more mechanical action
- SuperEco washing programs significantly reduce water and electricity consumption
- Ozone compatible seal system
- Warranty: First three years on all parts; First five years frame and cylinder shaft assembly; First five years on cylinder bearings and bearing seals (parts only)

OPTIONS

- Steam heating



ERGONOMICAL
CONSTRUCTION



LARGE DOOR
OPENING



LOW WATER
AND ENERGY
CONSUMPTION



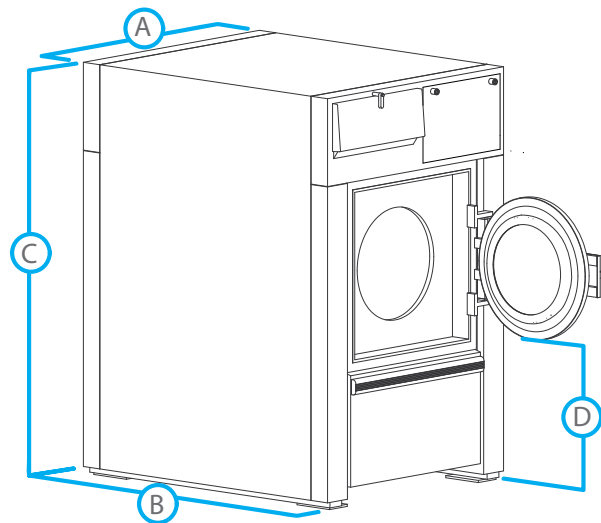
3 YEAR PARTS
WARRANTY

WASH

800-236-5599 | www.wash.com/on-premise

MODEL		PYN125
CONTROL OPTION		XControl+
CAPACITY - lb (kg)		125 (57)
OVERALL WIDTH - in (mm)		47.04 (1195)
OVERALL DEPTH - in (mm)		63.39 (1610)
OVERALL HEIGHT - in (mm)		75 (1905)
CYLINDER DIAMETER - in (mm)		36 (914)
CYLINDER DEPTH - in (mm)		31.1 (790)
CYLINDER VOLUME - cu. ft (liters)		18.3 (518)
DOOR OPENING SIZE - in (mm)		21.3 (541)
DOOR BOTTOM TO FLOOR - in (mm)		28.74 (730)
WASH SPEED - RPM		38
EXTRACT SPEED - RPM		830
EXTRACT G-FORCE		350
WATER INLET CONNECTION - in (mm)		3x1 (25)
STEAM INLET CONNECTION - in (mm)		0.75 (19)
DRAIN CONNECTION - in (mm)		2x3 (76)
MOTOR POWER CONSUMPTION - hp (kw)		10.06 (8)
VOLTAGE/CIRCUIT BREAKER - FLA		220-240/60/3
		380-480/60/3
SHIPPING DIMENSIONS APPROX. - in (mm)	Width	56.3 (1430)
	Depth	68.9 (1750)
	Height	82.9 (2106)
NET WEIGHT - lb (kg)		3594 (1630)
SHIPPING WEIGHT - lb (kg)		3902 (1770)
AGENCY APPROVALS		cCSAus

DIMENSIONS	PYN125
A. OVERALL WIDTH - in (mm)	47.04 (1195)
B. OVERALL DEPTH - in (mm)	63.39 (1610)
C. OVERALL HEIGHT - in (mm)	75 (1905)
D. DOOR BOTTOM TO FLOOR - in (mm)	28.74 (730)



WASH

800-236-5599 | www.wash.com/on-premise