

ON-PREMISES PREMIUM SINGLE TUMBLE DRYER

OPLS[™]
by **WASH**

PT
RANGE

PT075

75lb



FEATURES

- Easy-to-use digital control
- Electric, gas and steam heating
- Large door opening for easy loading and unloading
- Galvanized cylinder
- Radial airflow
- Large self-cleaning lint screen

OPTIONS

- Reversing cylinder to avoid tangling of large items
- Stainless steel cylinder
- Stainless steel front panel
- Sensodry+[®] over-dry prevention technology lowers energy, utility and linen replacement costs
- SafeTech[™] Fire Suppression System, a multi-port water manifold system, will saturate linens in an unlikely event of fire within the cylinder



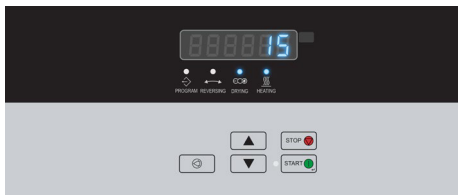
FAST DRYING



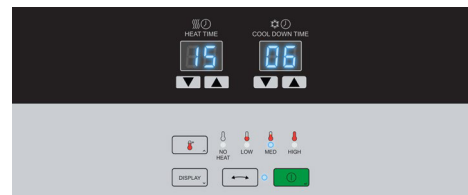
EASY OPERATION



SERVICE FRIENDLY



XQ Control

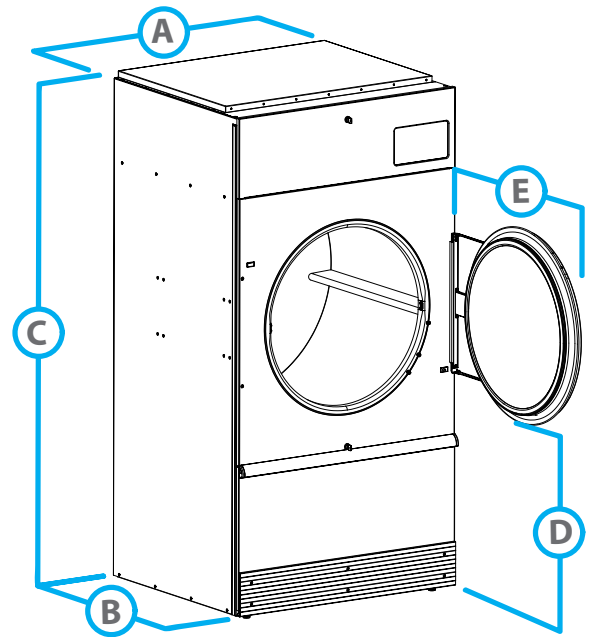


Dual Digital Control

WASH

800-236-5599 | www.wash.com/on-premise

MODEL		PT075
CONTROL OPTION		XQ, DDC
CAPACITY - lb (kg)		75 (34)
OVERALL WIDTH - in (mm)		38.5 (980)
OVERALL DEPTH - in (mm)		53 (1350)
OVERALL HEIGHT - in (mm)		77.3 (1960)
CYLINDER DIAMETER - in (mm)		37 (940)
CYLINDER VOLUME - cu. ft (liters)		22.4 (634)
DOOR OPENING SIZE - in (mm)		26.88 (683)
ENERGY DATA	Steam Models - 100 psi	133,900 Btu/h
	Electric Models	36 kW
	Gas Models	165,000 Btu/h
EXHAUST - in (mm)		8 (203)
GAS CONNECTIONS - in (npt)		0.75
STEAM CONNECTIONS - in (npt)		0.75
MOTOR - hp	Fan	0.5
	Drive	0.5
DRYING AVERAGE - lbs/min	Gas Heating	1.36
	Electric Heating	0.82
AIRFLOW - cfm	Gas/Steam	800
	Electric	800
ELECTRIC SPECS - amps		
GAS & STEAM	100-120V/50-60Hz/1Ph	12
	200-240V/50-60Hz/1-3Ph	7
	440-480V/50-60Hz/3Ph	3
	380-415V/50-60Hz/3Ph	3
ELECTRIC	200-208V/50-60Hz/3Ph	104
	230-240V/50-60Hz/3Ph	90
	380V/50-60Hz/3Ph	56
	400-415V/50-60Hz/3Ph	52
	440V/50-60Hz/3Ph	49
460-480V/50-60Hz/3Ph	45	
SHIPPING DIMENSIONS APPROX. - in (mm)	Width	41.5 (1054)
	Depth	56 (1420)
	Height	81 (2060)
NET WEIGHT - lb (kg)	Gas	680 (310)
	Steam	720 (325)
	Electric	710 (320)
SHIPPING WEIGHT - lb (kg)	Gas	730 (330)
	Steam	770 (350)
	Electric	760 (340)
AGENCY APPROVALS		cCSAus



DIMENSIONS		PT075
A.	OVERALL WIDTH - in (mm)	38.5 (980)
B.	OVERALL DEPTH - in (mm)	53 (1350)
C.	OVERALL HEIGHT - in (mm)	77.3 (1960)
D.	DOOR BOTTOM TO FLOOR - in (mm)	29.2 (740)
E.	DOOR SWING - in (mm)	33.9 (860)

WASH

800-236-5599 | www.wash.com/on-premise