

LG COMMERCIAL LAUNDRY FRONT LOAD WASHER

Built for More, Built for Speed

- Professional Grade Durability
- Best in Class performance
- Comprehensive 3year Warranty



PREMIUM POWDER COATING

Our powder coated finish creates the same durability as it does when painting a car. It is sure to last long and provide an easy to clean exterior.



ATOMIZING & TWIN SPRAY

Twin Spray rinses your clothes non-stop while spinning, resulting in a speedier wash and higher customer rotation rate. Atomizing Spray also sprays water on the door, so you don't have to clean excess suds off the door glass.



INVERTER DIRECT DRIVE™

Unlike the traditional belt and pulley system, the LG commercial laundry drum is directly attached to the motor providing superior durability and reliability. Fewer parts equals fewer repairs.



10° TILTED DRUM

LG's commercial washer tub is tilted 10°. It enables the washer to have higher water level compared to competitors. This allows us to use less water while not sacrificing superior wash performance.



GYRO BALANCING SYSTEM

LG's Gyro Balancing Sensor precisely detects the tub movement to activate the most proper algorithm for washing cycle, ensuring it finishes within 36 mins.



AUTO DOSING SYSTEM

Simple to connect automatic detergent/chemical injection system.

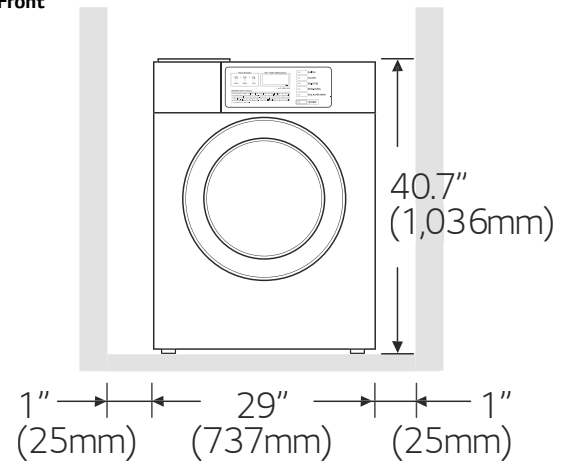
*Autodosing Pump (Purchase Separately)



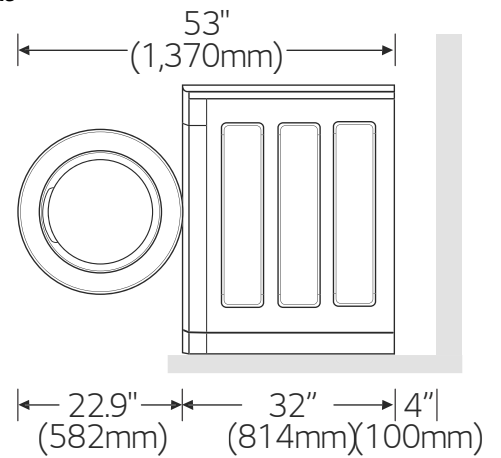
TITAN MAX WASHER SPECIFICATIONS

MODEL	TCWM2013**	
CYLINDER		
Drum Volume	cu.ft (ℓ)	5.2 (147)
Diameter	in. (mm)	24 (610.8)
Depth	in. (mm)	20.4 (518.1)
DIMENSIONS		
Product (WxHxD)	in	29 x 40.8 x 32
	mm	737 x 1,036 x 814
With Door Open	in. (mm)	53 (1,370)
Carton (WxHxD)	in	31 x 44.3 x 33.3
	mm	788 x 1,125 x 846
Weight (Product/Carton)	lb (kg)	221.8 (100.6) / 248 (112.5)
SPEED		
Wash	RPM	46
Extract (High Speed)	RPM	1,000
G-force	G	342
RATING		
Electric Ratings	V/Hz/A	120/60/5
*CONSUMPTION INDEX¹⁾		
Water	gal (ℓ)	16.5 (62.5)
Electricity	kWh/hour	0.5
NOISE & CYCLE TIME		
Noise Level (Sound Power)	dB	Lower than 60
Program Duration in Minutes (Default)	min	36
SYSTEM & CONTROL		
Inverter Direct Drive Motor		O
Heating Element	W	120V 1,000 (Only for Tub Clean)
Drain System		BLDC
Emergency Stop Button		O (OPL Only)
Inlet Valve		DC
Auto Dosing Interface		O
Gyro Sensor		O
Damper		4 Friction Dampers
PROGRAMS		
Program List		Hot*
		Warm*
		Cold*
		Delicates*
		Add Super Wash (Card & Coin)/ 20 Custom PGM (OPL)
EXTERNAL FINISH		
Drum		Stainless Steel
CIRCUIT PROTECTION		
PCB Fuse - Main Control Board	amps	12 (220-240V)
PCB Fuse- Filter Assembly	amps	15

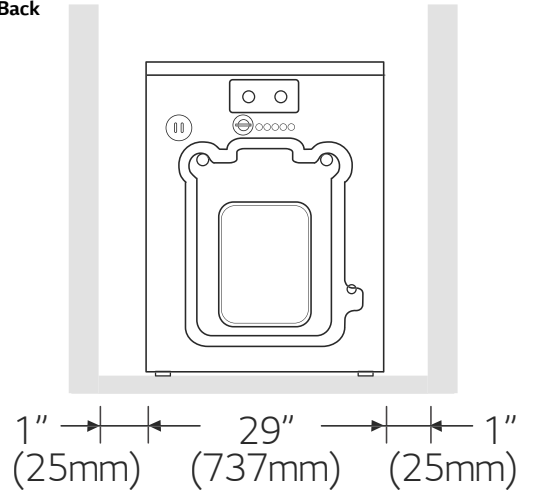
Front



Side



Back



PRODUCT IMAGE



Coin Convertible

Card / OPL Type

Washer & Dryer Stack Type (Card/OPL)