

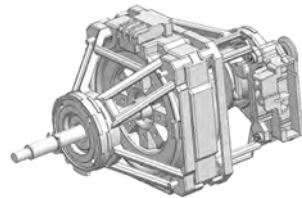
LG COMMERCIAL LAUNDRY FRONT LOAD DRYER

- Comprehensive 3year Warranty
- Premium powder coating
- Enhanced Parts



OPTIMIZED DRY ALGORITHM

By using BLDC motor in Light Titan-C Dryer, various drum speed can be controlled. Adjusted speed of the drum can minimize mechanical action which cause damage to the fabrics.



EASY PROGRAMMING

Intuitive programming controls allow operators to choose from a variety of functions and programs, including price, cycle time, cycle parameters, spin-speed and more, ensuring that all washing requirements are met.



REVERSIBLE DOOR

Depending on your site or your personal preference, you can make the beset use of space by easily chaning the door orientation to open to the left or right



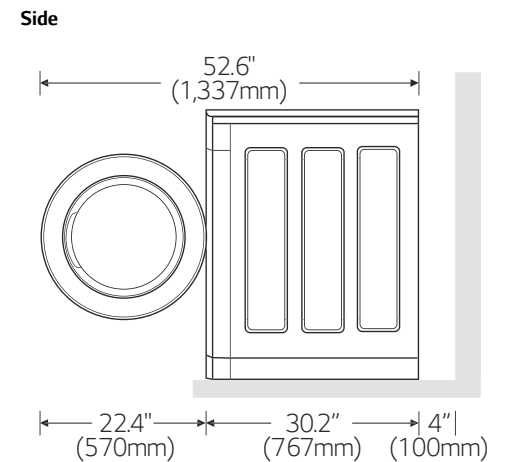
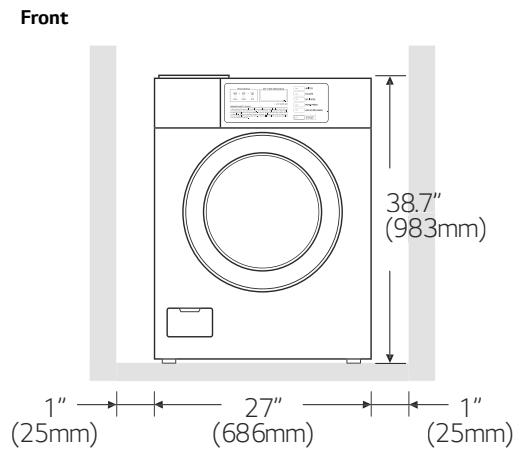
FLOW SENSING

The LED of Flow Sense flashes when the duct is blocked by lint. The manager can know the necessity to check and clean the duct.



TITAN MAX DRYER SPECIFICATIONS

MODEL		Gas TLD1840*G*	Elec TLD1840*E*
CYLINDER			
Drum Volume	cu.ft (ℓ)	9.0 (254)	9.0 (254)
Diameter	in. (mm)	28.2 (716)	28.2 (716)
Depth	in. (mm)	24.2 (614)	24.2 (614)
DIMENSIONS			
Product (WxHxD)	in	29 x 40.2 x 31.9	29 x 40.2 x 31.9
	mm	737 x 1,022 x 810	737 x 1,022 x 810
With Door Open	in. (mm)	53.2 (1,350)	53.2 (1,350)
Carton (WxHxD)	in	31.5 x 45.6 x 33.8	31.5 x 45.6 x 33.8
	mm	800 x 1158 x 858	800 x 1158 x 858
Weight (Product/Carton)	lb (kg)	150 (68.2) / 167.1 (75.8)	150 (68.2) / 167.1 (75.8)
RATING			
Electric Ratings	V/Hz/A	120 / 60 / 5	240 / 60 / 26 208 / 60 / 23
CONSUMPTION INDEX (PER CYCLE)			
Electricity	kW	0.35	5.4-5.8
SYSTEM & CONTROL			
Heating Type		Gas (LNG/LPG) ¹⁾	Electric
Type of Drying		Ventilation	Ventilation
Air Flow	CFM	210	210
Gas Ratings ⁰⁾	kW/BTU	7.4 / 25,000	-
Motor	kW	0.33	0.33
Program Duration in Minutes (Default) ⁰⁾	min	40	40
CONNECTIONS			
Air Outlet Diameter	in. (mm)	4 (100)	4 (100)
Exhaust Airflow Diameter	in. (mm)	4 (100)	4 (100)
PROGRAMS			
Program List		High Temp	High Temp
		Med Temp	Med Temp
		Low Temp	Low Temp
		No Heat	No Heat
EXTERNAL FINISH			
Drum		Stainless Steel	Stainless Steel



PRODUCT IMAGE

